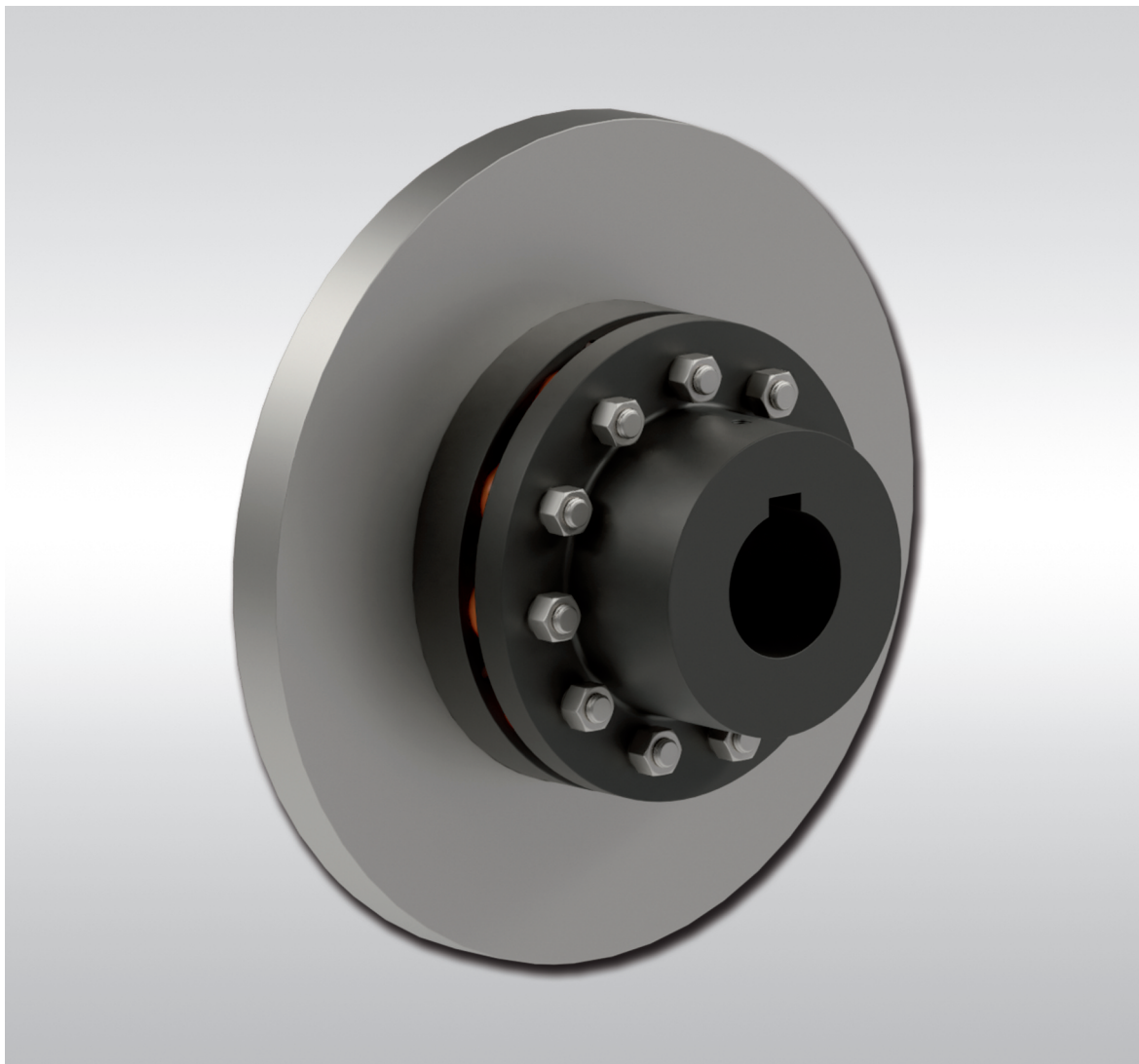


Pin and Bush Couplings REB ... DCS

torsional elastic, with brake disc

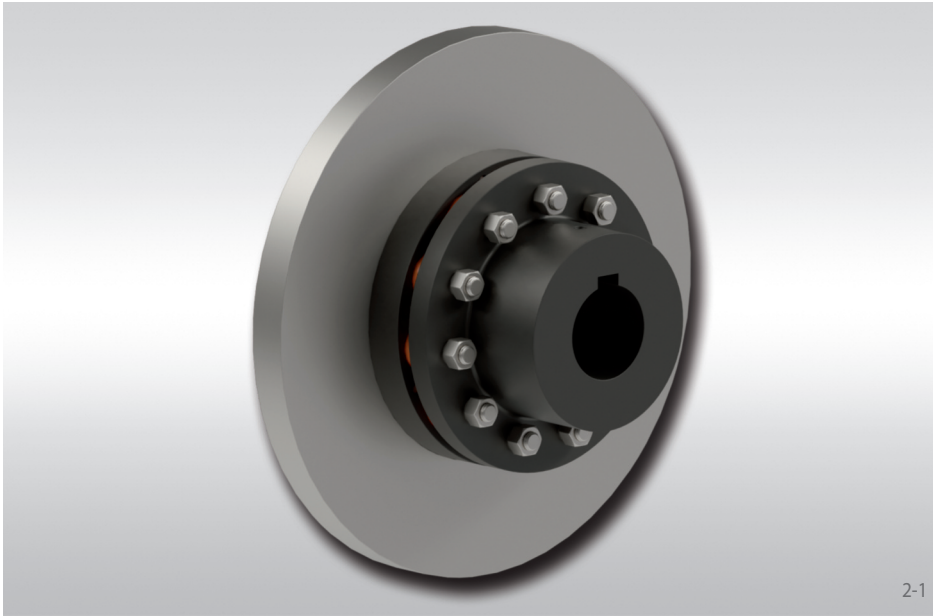


Issue 10/2021 · Technical details subject to change without notice.

E06.402e



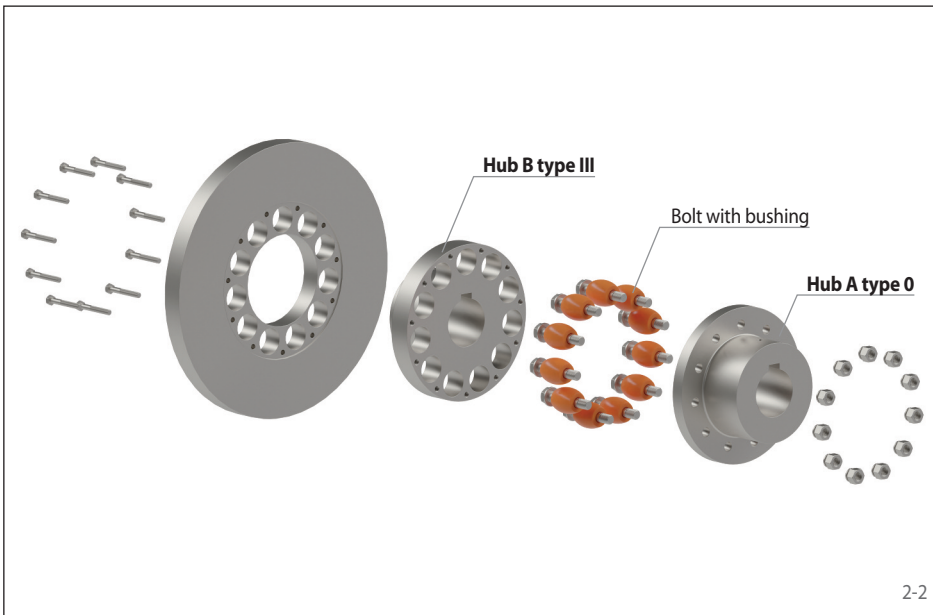
torsional elastic
with brake disc



2-1

Features

- Nominal torques up to 112 000 Nm
- Compensation of axial, radial and angular misalignments
- Coupling and brake discs matched to RINGSPANN brake systems
- Adsorbs vibrations
- Fail-safe in the event of the failure of the bushings
- Easy replacement of bushings without disassembly of the coupling halves
- Maintenance free, no lubrication necessary
- Typical applications: Belt drives, ventilators, general mechanical engineering



2-2



NR 80 Shore-A

PU 92 Shore-A

HTTrans

Bushings

2-3

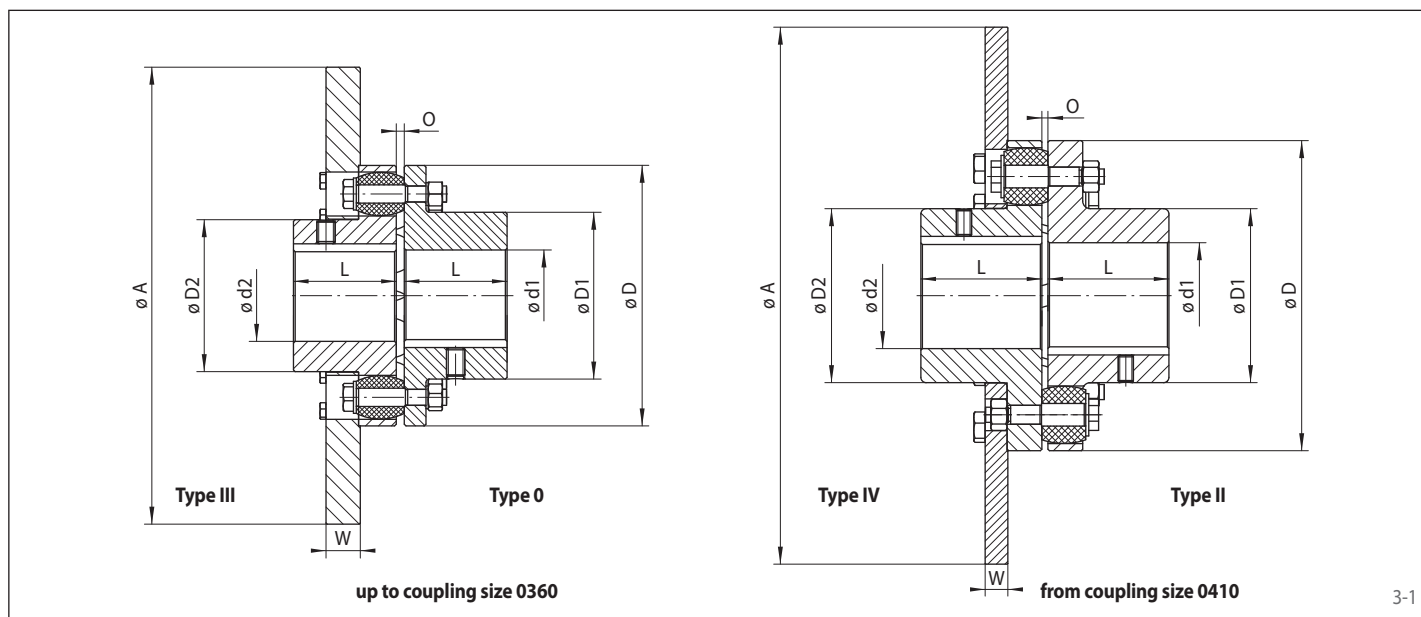
Order example

	Code
Coupling design	REB
Coupling size	0228
Type	DCS
Material of the hub:	GJL
• Cast iron	
Hub A, type:	
• 0, standard, pin hub (up to size 0360)	0
• II, standard, pin and bush hub (from size 0410)	2
Hub A, design:	
• finish bored with keyway	FB
• roughbored	VA
Bore diameter hub A	080
Hub B, type:	
• III, with brake disc, bush hub (up to size 0360)	3
• IV, with brake disc, pin and bush hub (from size 0410)	4
Hub B, design:	
• finish bored with keyway	FB
• roughbored	VA
Bore diameter hub B	060
Material of bushings:	
• NR 80 Shore-A	NR80
• PU 92 Shore-A	PU92
• HTTrans	HT00
Brake disc size and material *	S0KE

REB 0228 DCS-GJL-0FB080-3FB060-NR80-S0KE

* see table "Brake discs and order code"

torsional elastic
with brake disc



3-1

Coupling size	Max. speed n_{max} min ⁻¹	Pilot bore d1/d2 mm	Min. bore d1/d2			Max. bore d1/d2			D mm	D1 mm	D2 mm	L mm	O mm	Permissible misalignments		
			Hub type 0 mm	Hub type II mm	Hub type III + IV (with brake disc) mm	Hub type 0 mm	Hub type II mm	Hub type III + IV (with brake disc) mm						Axial mm	Radial mm	Angular
0228	3000	26	28	-	28	100	-	90	228	146	133	90	4-10	3,0	0,60	1,0
0252	2700	36	38	-	38	115	-	105	252	167	156	100	4-10	3,0	0,60	1,0
0285	2400	46	48	-	48	125	-	115	285	186	170	110	4-10	3,0	0,70	1,0
0320	2100	53	55	-	55	135	-	125	320	212	196	125	4-10	3,0	0,70	1,0
0360	1900	63	65	-	65	150	-	135	360	232	212	140	4-12	4,0	0,90	1,0
0410	1700	73	-	75	75	-	160	160	410	230	-	160	4-12	4,0	1,10	1,0
0450	1500	86	-	85	85	-	180	180	450	260	-	180	4-12	4,0	1,10	0,5
0500	1350	93	-	95	95	-	200	200	500	290	-	200	4-12	4,0	1,10	0,4
0560	1200	93	-	95	95	-	225	225	560	320	-	220	4-8	2,0	1,50	0,3
0630	1050	98	-	100	100	-	250	250	630	355	-	240	4-8	2,0	1,50	0,3
0710	950	98	-	100	100	-	260	260	710	385	-	260	5-9	2,0	1,80	0,3

Brake discs and ordering code

Material	$\varnothing A \times W$ mm	Coupling size														
		0228	0252	0285	0320	0360	0410	0450	0500	0560	0630	0710				
Steel	400 x 30	SOFE														
	450 x 30	SOHE	SOHE	SOHE												
	500 x 30	SOIE	SOIE	SOIE	SOIE											
	560 x 30	SOKE	SOKE	SOKE	SOKE	SOKE										
	630 x 30		SOLE	SOLE	SOLE	SOLE	SOLE									
	710 x 30					SOME	SOME	SOLE	SOLE	SOLE						
	800 x 30								SONE	SONE						
	900 x 30										SONE					
	1000 x 30										SOOE					
												S1PE				
Nodular cast iron	300 x 12,5	GOCA	GOCA													
	355 x 12,5	GOEA	GOEA	GOEA												
	355 x 25	GOED	GOED	GOED												
	430 x 12,5	GOGA	GOGA	GOGA	GOGA	GOGA										
	430 x 25			GOGD	GOGD	GOGD										
	520 x 12,5				GOJA	GOJA	GOJA									
	520 x 25				GOJD	GOJD	GOJD									
	630 x 25					GOLD	GOLD	GOLD	GOLD	GOLD						
	710 x 25							GOMD	GOMD	GOMD	GOMD					
	800 x 25							GOND	GOND	GOND	GOND	GOND				
900 x 25									GOOD	GOOD	GOOD					
1000 x 25										G1PD	G1PD					

torsional elastic
with brake disc



Bushing NR 80 Shore-A

Material: Natural rubber
 Hardness: 80 ±5 Shore -A
 Temperature range: -45 °C to +70 °C
 Colour: black



Bushing PU 92 Shore-A

Material: Polyurethane
 Hardness: 92 ±5 Shore-A
 Temperature range: -30 °C to +80 °C
 Colour: orange

Coupling size	Nominal torque T_{KN} Nm	Nominal power at 100 min^{-1} P_{K100} kW	Max. torque $T_{K \max}$ Nm	Alternating torque T_{KW} Nm	Torsional stiffness $C_{T \text{ dyn}}$ Nm/rad x 10^3			Relative damping ψ at 0,5 T_{KN}
					1,0	0,5	0,25	
					T_{KN}	T_{KN}	T_{KN}	
0228	2050	21	6100	410	406	225	119	1,4
0252	3060	32	9200	614	689	382	202	
0285	4550	48	13600	910	1052	547	272	
0320	6000	64	18200	1220	5045	1894	814	
0360	8900	93	26700	1780	6653	2498	1073	
0410	12000	126	36100	2410	8066	3029	1301	
0450	18600	195	55500	3720	13973	5247	2254	
0500	25800	270	77000	5160	21481	8066	3465	
0560	31000	325	93000	6201	19199	7209	3097	
0630	41900	440	125500	8400	29671	11141	4786	
0710	75000	785	225000	15000	45968	17260	7415	

Coupling size	Nominal torque T_{KN} Nm	Nominal power at 100 min^{-1} P_{K100} kW	Max. torque $T_{K \max}$ Nm	Alternating torque T_{KW} Nm	Torsional stiffness $C_{T \text{ dyn}}$ Nm/rad x 10^3			Relative damping ψ at 0,5 T_{KN}
					1,0	0,5	0,25	
					T_{KN}	T_{KN}	T_{KN}	
0228	3000	31,5	9000	602	326	264	193	0,5
0252	4580	48,0	13700	917	562	455	333	
0285	6800	72,0	20600	1375	893	721	559	
0320	9100	96,0	27500	1834	2035	1093	686	
0360	13300	139,5	39900	2664	2660	1429	897	
0410	18000	189,0	54000	3610	3225	1732	1088	
0450	27900	292,5	83500	5587	5651	3034	1906	
0500	38600	405,0	116000	7736	8687	4665	2930	
0560	46500	487,5	139500	9311	7764	4169	2619	
0630	63000	660,0	189000	12606	11999	6443	4048	
0710	112000	1177,5	337000	22490	18590	9982	6271	

torsional elastic
with brake disc



Bushing HTrans

Material: Polyurethane
 Hardness: 55 ±2 Shore-D
 Temperature range: -30 °C to +120 °C
 Colour: white

Coupling size	Nominal torque T_{KN} Nm	Nominal power at 100 min^{-1} P_{K100} kW	Max. torque T_{Kmax} Nm	Alter-nating torque T_{KW} Nm	Torsional stiffness $C_{T \text{ dyn}}$ Nm/rad x 10^3			Relative damping ψ at 0,5 T_{KN}
					1,0 T_{KN}	0,5 T_{KN}	0,25 T_{KN}	
0228	5000	53	15100	1012	668	583	475	0,43
0252	7600	80	22900	1528	1143	997	813	
0285	11400	120	34300	2292	1444	1197	952	
0320	15200	160	45800	3056	2159	1790	1424	
0360	22200	233	66500	4450	2836	2351	1871	

Germany

RINGSPANN GmbH

Schaberweg 30-38, 61348 Bad Homburg, Germany
+49 6172 2750
info@ringspann.de • www.ringspann.de

RINGSPANN RCS GmbH

Hans-Mess-Straße 7, 61440 Oberursel, Germany
+49 6172 67 68 50
info@ringspann-rcs.de • www.ringspann-rcs.de

France

SIAM - RINGSPANN S.A.

23 rue Saint-Simon, 69009 Lyon, France
+33 4 78 83 59 01
info@siam-ringspann.fr • www.ringspann.fr

Great Britain, Ireland

RINGSPANN (U.K.) LTD.

3, Napier Road, Bedford MK41 0QS, Great Britain
+44 1234 34 25 11
info@ringspann.co.uk • www.ringspann.co.uk

Italy

RINGSPANN Italia S.r.l.

Via A.D. Sacharov, 13, 20812 Limbiate (MB), Italy
+39 02 93 57 12 97
info@ringspann.it • www.ringspann.it

Netherlands, Belgium, Luxembourg

RINGSPANN Benelux B.V.

Nieuwenkampsmaten 6-15, 7472 DE Goor,
Netherlands • +31 547 26 13 55
info@ringspann.nl • www.ringspann.nl

Austria, Hungary, Slovenia

RINGSPANN Austria GmbH

Triesterstraße 21, 2620 Neunkirchen, Austria
+43 26 35 62 44 6
info@ringspann.at • www.ringspann.at

Poland

Radius-Radpol Wiecheć Sp.J.

Ul. Pasjonatów 3, 62-070 Dąbrowa, Poland
+48 61 814 39 28 • info@radius-radpol.com.pl
www.radius-radpol.com.pl

Romania, Bulgaria, Moldova

S.C. Industrial Seals and Rolls S.R.L.

Str. Depozitelor, No. 29, 110078 Pitesti, Romania
+4 0751 22 82 28
mihai@isar.com.ro • www.isar.com.ro

Russia, Belarus, Kazakhstan

RINGSPANN Office

Pod'jennaja Street 12, Building 1, Floor 4,
Office 426, 109052 Moscow, Russia
+7 495 911 86 48
Denis.Kalashnikov@ringspann.com
www.ringspann.com.ru

Sweden, Finland, Denmark,

Norway, Baltic states

RINGSPANN Nordic AB

Industrigatan 7, 61933 Trosa, Sweden
+46 156 190 98
info@ringspann.se • www.ringspann.se

Switzerland

RINGSPANN AG

Sumpfstrasse 7, P.O. Box, 6303 Zug,
Switzerland • +41 41 748 09 00
info@ringspann.ch • www.ringspann.ch

Spain, Portugal

RINGSPANN IBERICA S.A.

C/Uzbina, 24-Nave E1, 01015 Vitoria, Spain
+34 945 22 77 50
info@ringspann.es • www.ringspann.es

Czech Republic, Slovakia

Ing. Petr Schejbal

Mezivříš 1444/27, 14700 Prag, Czech Republic
+420 222 96 90 22
Petr.Schejbal@ringspann.cz • www.ringspann.com

Ukraine

"START-UP" LLC.

Saltivske Hwy, 43, letter G-3, office 101,
Kharkiv 61038, Ukraine • +38 057 717 03 04
start-up@start-up.kh.ua • www.start-up.kh.ua

Asia

Australia, New Zealand

RINGSPANN Australia Pty Ltd

Unit 5, 13A Elite Way, Carrum Downs Vic 3201,
Australia • +61 3 9069 0566
info@ringspann.com.au • www.ringspann.com.au

China

RINGSPANN Power Transmission (Tianjin) Co., Ltd.

No. 21 Gaoyan Rd., Binhai Science and Technology
Park, Binhai Hi-Tech Industrial, Development Area,
Tianjin, 300458, P.R. China • +86 22 5980 31 60
info.cn@ringspann.cn • www.ringspann.cn

India, Bangladesh, Nepal

RINGSPANN Power Transmission India Pvt. Ltd.

GAT No: 679/2/1, Village Kuruli, Taluka Khed, Chakan-
Alandi Road, Pune - 410501, Maharashtra, India
+91 21 35 67 75 00 • info@ringspann-india.com
www.ringspann-india.com

Singapore, Taiwan, ASEAN

RINGSPANN Singapore Pte. Ltd.

143 Cecil Street, #17-03 GB Building,
Singapore 069542 • +65 9633 6692
info@ringspann.sg • www.ringspann.sg

South Korea

RINGSPANN Korea Ltd.

Chungnam Cheonan-si Dongnam-gu
Mokcheon-eup Samsung 1 Ghil 15-12,
31226, South Korea • + 82 10 54961 368
info@ringspann.kr • www.ringspann.kr

America

Brazil

Antares Acoplamentos Ltda.

Rua Evaristo de Antoni, 1222, Caxias do Sul, RS,
CEP 95041-000, Brazil • +55 54 32 18 68 00
vendas@antaresacoplamentos.com.br
www.antaresacoplamentos.com.br

USA, Canada, Mexico, Chile, Peru

RINGSPANN Corporation

10550 Anderson Place, Franklin Park, IL 60131, USA
+1 847 678 35 81
info@ringspanncorp.com • www.ringspanncorp.com

Africa and Middle East

Egypt

Shofree Trading Co.

218 Emtedad Ramsis 2, 2775 Nasr City, Cairo, Egypt
+20 2 20 81 20 57
info@shofree.com • www.ringspann.com

Israel

G.G. Yarom Rolling and Conveying Ltd.

6, Hamaktesh Str., 58810 Holon, Israel
+972 3 557 01 15
noam_a@gg.co.il • www.ringspann.com

South Africa, Sub-Saharan

RINGSPANN South Africa (Pty) Ltd.

96 Plane Road Spartan, Kempton Park,
P.O. Box 8111 Edenglen 1613, South Africa
+27 11 394 18 30
info@ringspann.co.za • www.ringspann.co.za

Iran

Persia Robot Machine Co. Ltd.

4th Floor, No 71, Mansour St, Motahari Avenue,
Tehran 15957, Iran • +98 21 887091 58-62
info@persiarobot.com • www.ringspann.com

Maghreb, West Africa

SIAM - RINGSPANN S.A.

23 rue Saint-Simon, 69009 Lyon, France
+33 4 78 83 59 01
info@siam-ringspann.fr • www.ringspann.fr