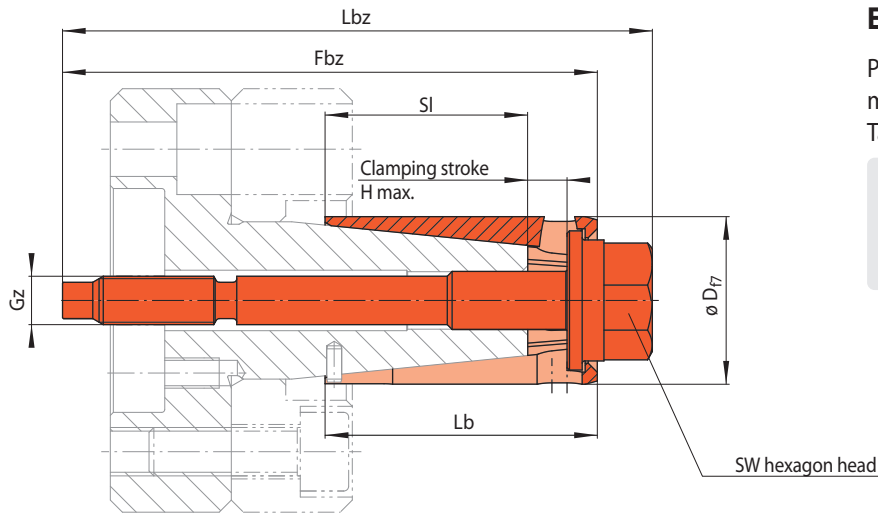


Clamping Elements Taper Collets with hexagon head BAD **RINGSPANN®**

for setup of Taper Collet Flange Mandrels BKDF
to different clamping diameters within a given size



Example for ordering

Please indicate the size of the Clamping Element and the clamping range of the requested Taper Collet, in your order:

Size: BAD 18
Clamping range: 29,70 - 30,90 mm
➔ BAD 27-29,70-30,90

40-1

Size BAD ...	Clamping range ¹⁾	Max. transmissible torque*	Tightening torque for hand clamping*	Fbz	Gz	H max.	Lb	Lbz	SI	SW	Art.-No.
6**	11,90 - 12,50	11	5	61,3	M5	4,1	23	66,5	14,9	6	006500-011.90
	12,40 - 13,00	11	5	61,3	M5	4,1	23	66,5	14,9	6	006500-012.40
	12,90 - 13,50	11	5	61,3	M5	4,1	23	66,5	14,9	6	006500-012.90
	13,40 - 14,00	11	5	61,3	M5	4,1	23	66,5	14,9	6	006500-013.40
	13,90 - 14,50	11	5	61,3	M5	4,1	23	66,5	14,9	6	006500-013.90
	14,40 - 15,00	11	5	61,3	M5	4,1	23	66,5	14,9	6	006500-014.40
7	14,70 - 15,90	13	5	76,3	M5	6,9	35	84,0	24,1	8	007500-014.70
	15,70 - 16,90	13	5	76,3	M5	6,9	35	84,0	24,1	8	007500-015.70
	16,70 - 17,90	13	5	76,3	M5	6,9	35	84,0	24,1	8	007500-016.70
	17,70 - 18,90	13	5	76,3	M5	6,9	35	84,0	24,1	8	007500-017.70
	18,70 - 19,90	13	5	76,3	M5	6,9	35	84,0	24,1	8	007500-018.70
	19,70 - 20,90	13	5	76,3	M5	6,9	35	84,0	24,1	8	007500-019.70
12	20,70 - 21,90	44	20	88,8	M8	6,95	45	98,0	33,55	12	012500-020.70
	21,70 - 22,90	44	20	88,8	M8	6,95	45	98,0	33,55	12	012500-021.70
	22,70 - 23,90	44	20	88,8	M8	6,95	45	98,0	33,55	12	012500-022.70
	23,70 - 24,90	44	20	88,8	M8	6,95	45	98,0	33,55	12	012500-023.70
	24,70 - 25,90	44	20	88,8	M8	6,95	45	98,0	33,55	12	012500-024.70
	25,70 - 26,90	44	20	88,8	M8	6,95	45	98,0	33,55	12	012500-025.70
	26,70 - 27,90	44	20	88,8	M8	6,95	45	98,0	33,55	12	012500-026.70
18	27,70 - 28,90	58	24	87,9	M8	7,0	45	97,5	33,5	17	018500-027.70
	28,70 - 29,90	58	24	87,9	M8	7,0	45	97,5	33,5	17	018500-028.70
	29,70 - 30,90	58	24	87,9	M8	7,0	45	97,5	33,5	17	018500-029.70
	30,60 - 31,80	58	24	87,9	M8	7,0	45	97,5	33,5	17	018500-030.60
	31,60 - 32,80	58	24	87,9	M8	7,0	45	97,5	33,5	17	018500-031.60
19	32,60 - 33,80	114	51	116,3	M12	7,0	65	127,8	52,0	21	019500-032.60
	33,60 - 34,80	114	51	116,3	M12	7,0	65	127,8	52,0	21	019500-033.60
	34,60 - 35,80	114	51	116,3	M12	7,0	65	127,8	52,0	21	019500-034.60
	35,60 - 36,80	114	51	116,3	M12	7,0	65	127,8	52,0	21	019500-035.60
	36,60 - 37,80	114	51	116,3	M12	7,0	65	127,8	52,0	21	019500-036.60
	37,60 - 38,80	114	51	116,3	M12	7,0	65	127,8	52,0	21	019500-037.60
	38,60 - 39,80	114	51	116,3	M12	7,0	65	127,8	52,0	21	019500-038.60
	39,60 - 40,80	114	51	116,3	M12	7,0	65	127,8	52,0	21	019500-039.60
	40,60 - 41,80	114	51	116,3	M12	7,0	65	127,8	52,0	21	019500-040.60
41,60 - 42,80	114	51	116,3	M12	7,0	65	127,8	52,0	21	019500-041.60	
27	42,60 - 43,80	147	62	116,3	M12	7,0	65	130,8	52,0	27	027500-042.60
	43,60 - 44,80	147	62	116,3	M12	7,0	65	130,8	52,0	27	027500-043.60
	44,60 - 45,80	147	62	116,3	M12	7,0	65	130,8	52,0	27	027500-044.60
	45,60 - 46,80	147	62	116,3	M12	7,0	65	130,8	52,0	27	027500-045.60
	46,60 - 47,80	147	62	116,3	M12	7,0	65	130,8	52,0	27	027500-046.60
	47,60 - 48,80	147	62	116,3	M12	7,0	65	130,8	52,0	27	027500-047.60
	48,60 - 49,80	147	62	116,3	M12	7,0	65	130,8	52,0	27	027500-048.60
	49,60 - 50,80	147	62	116,3	M12	7,0	65	130,8	52,0	27	027500-049.60
	50,60 - 51,80	147	62	116,3	M12	7,0	65	130,8	52,0	27	027500-050.60

* for clamping with pull-back action. ** Size BKD 6 without guidance
1) Other clamping ranges available on short notice by request